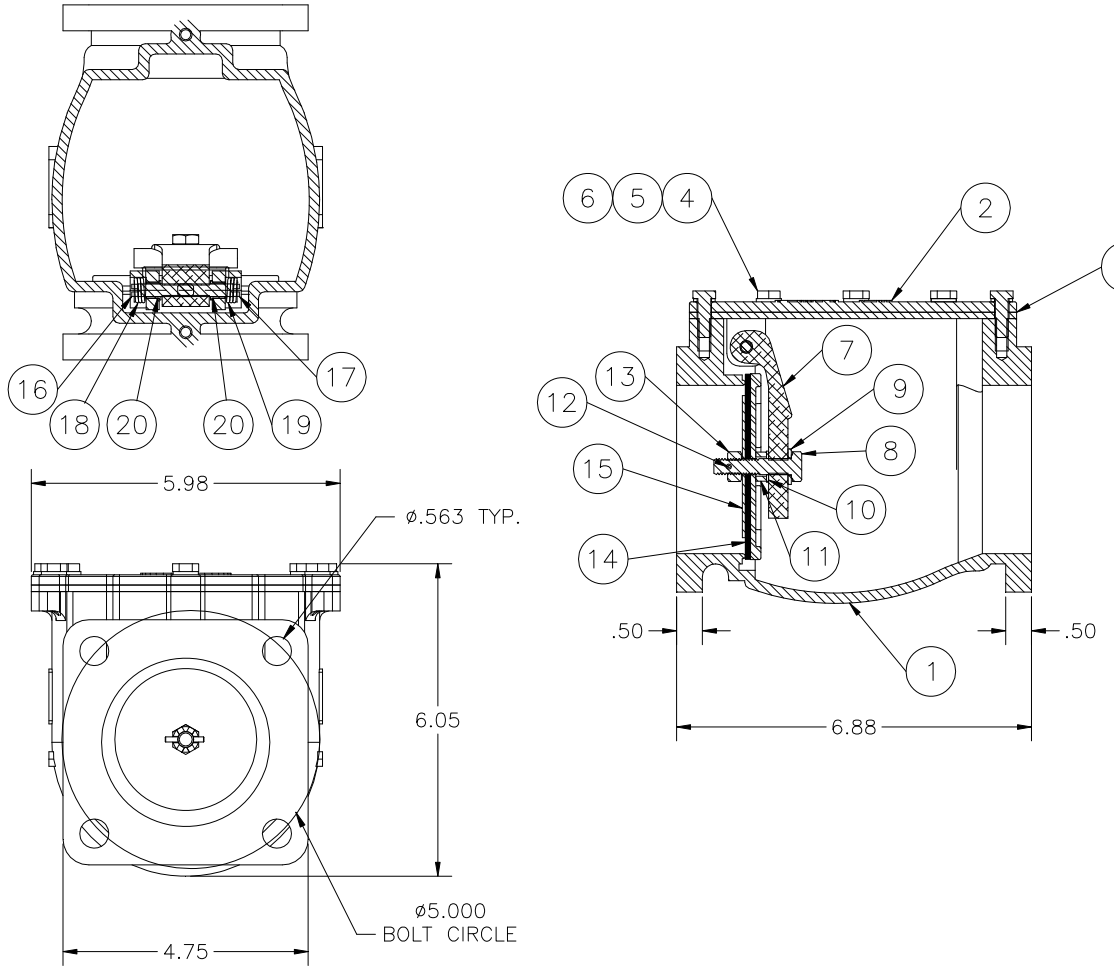




# VC3022 3" Aluminum Swing Check Valve

PARTS BREAK DOWN



ITEM	PART NUMBER	DESCRIPTION	QTY.
1	3-CV-A-BODY	ALUMINUM BODY	2
2	3-CV-A-LID	ALUMINUM LID	1
3	3-CV-A-GASKET	LID GASKET	1
4	12419	1/4-20 x 7/8" SS SCREW	8
5	H20312M	1/4" WASHER	8
6	H50086M	1/4" 18-8 SS LOCK WASH	8
7	3-CV-ARM-S-A	POPPET ARM	1
8	S5-16-18X1.5H	5/16 x 1-1/2 SS HEX BOLT	1
9	S5-16FLATWASH	5/16 SS FLAT WASHER	1
10	3-CV-POP-SPR	BELLEVILLE WASHER	1
11	SS-5/16-18-JAM-NUT	STAINLESS SPACER NUT	1

ITEM	PART NUMBER	DESCRIPTION	QTY.
12	S3-32X3-4-RP	ROLL PIN	1
13	S5-16-18-SH-NUT	5/16 CASTLE NUT	1
14	3-CV-PLATE-S-A	POPPET GASKET	1
15	3-CV-WASH-S	SS WASHER	1
16	3-CV-PIN-L	.245 x 1.195 SS PIN LEFT	1
17	3-CV-PIN-R	.245 x 1.195 SS PIN RIGHT	1
18	3-CV-SPG-L	17-7 SPRING LEFT	1
19	3-CV-SPG-R	17-7 SPRING RIGHT	1
20	3-CV-BUSHING	TEFLON BUSHING	2
REPAIR KITS			
VC-312S		REPAIR KIT, SILICONE POPPET	



PHONE: (816) 741-6600 • (888) 526-5657 • Fax: (816) 741-1061  
 4304 Mattox Road • Kansas City, MO 64150 • www.suresealinc.com

Rev. +, January 2013