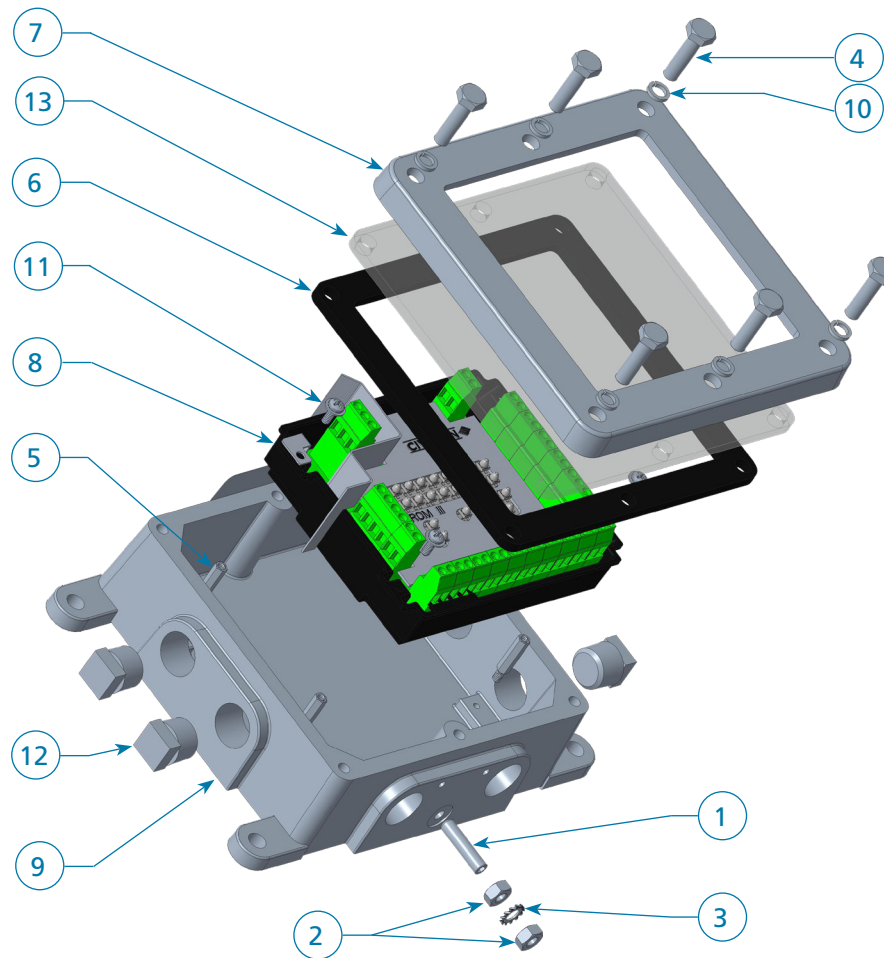


3308-3308 ROM III On Board Monitor

02-14-003RP



ITEM	PART NUMBER	DESCRIPTION	QTY
1	006-FABSS0169	SET SCREW, M6 x 25mm	1
2	006-FANSS0003	NUT, SS M6	2
3	006-FAWSS0034	WASHER, SS M6	1
4	9541	SCREW, 1/4-20 x 1" SS	6
5	12710 ¹	STANDOFF, 3/16 HEX, #6-32	4
6	C40015M ¹	GASKET	1
7	C40104APC	COVER	1
8	3358-3358 ¹	REPL. MONITOR	1

1 - Included in 3358-KIT

ITEM	PART NUMBER	DESCRIPTION	QTY
9	D40006APC	ENCLOSURE	1
10	H50086M	LOCK WASHER, 1/4" SS	6
11	H50623M-2 ¹	SCREW, #6-32 x 3/8 SS	4
12	H51916M	PLUG, 1/2" NPT	4
13	H53206M ¹	WINDOW	1

REPAIR KITS	
3358-KIT	ROM II TO ROM III UPGRADE KIT



www.civacon.com ◆ 9393 Princeton-Glendale Road ◆ Hamilton, Ohio, USA 45011 ◆ Phone: (800) 560-6601

NOTE: All information subject to engineering and/or other changes. All trade names are copyrighted. Patents Pending. ©2018 Civacon. ©2018 Delaware Capital Formation, Inc. All Rights Reserved. DOVER and the DOVER logo are registered trademarks of Delaware Capital Formation, Inc., a wholly-owned subsidiary of Dover Corporation.

Rev.+, Mar 2020

DEFINING | WHAT'S NEXT