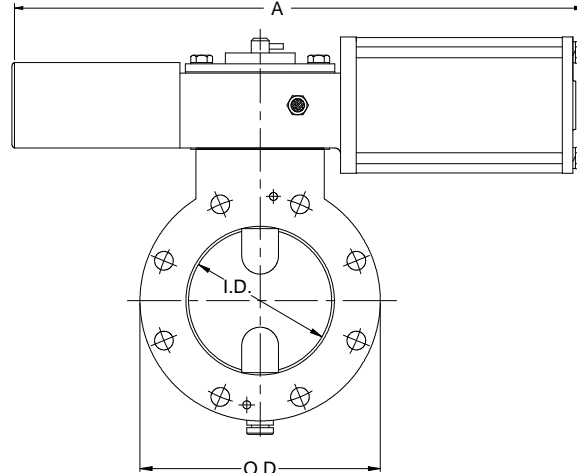
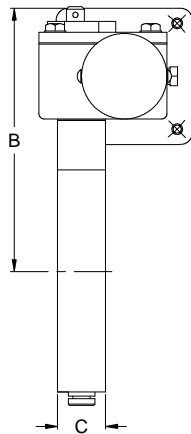


Wet-R-Dri VALVE

TTMA STYLE

LIGHTWEIGHT
COMPACT
VERSATILE



The Betts Wet-R-Dri Valve is designed for handling liquid, gaseous or dry products, and is available in a variety of sizes and models. This space saving valve is lightweight, easily maintained, and has a positive stop in the open and closed position. The air operated valve is opened and closed by air. The air-spring operated valve can be sold as either an air to open, spring return valve or as an air to close spring to open valve. Please specify.

Size	Air Actuated Model	Wt.	Air-Spring Model	Wt.	Standard Material		Max. Working Pressure	Temperature Range
	Assembly No.		Assembly No.		Body	Disc		
2"	WD217 AL B	5.9	WD219 AL B	6.4	Aluminum	Buna-N	75 PSI	See Chart Below
	WD217 GI B	8.1	WD219 GI B	8.6	Grey Iron			
3"	WD317 AL B	7.1	WD319 AL B	7.6	Aluminum	Buna-N	75 PSI	
	WD317 GI B	10.4	WD319 GI B	10.9	Grey Iron			
4"	WD417 AL V	8.0	WD419 AL V	8.5	Aluminum	Viton	75 PSI	
	WD417 GI V	11.8	WD419 GI V	12.3	Grey Iron			
5"	WD517 AL V	11.4	WD519 AL V	11.9	Aluminum	Viton	50 PSI	
6"	WD617 AL U	15.3	WD619 AL U	15.8	Aluminum	Urethane	50 PSI	
8"	WD817 AL U	20.8	WD819 AL U	21.3	Aluminum	Urethane	50 PSI	

NOTES: Standard drilling fits TTMA recommended standards.

Valves are available with the following options: Stainless steel liners and shafts, and "E" Coating of aluminum valves (recommended for aluminum valves used in water service).

For repair kit, see Section 20, Page 5B.

Dimensions

Size	A	B	C	I.D.	O.D.	B.C.	Holes
2"	13 ⁵ / ₁₆	5 ¹³ / ₁₆	1 ¹ / ₈	2 ¹ / ₄	3 ³ / ₄	3 ³ / ₄	6 ⁻⁷ / ₁₆
3"	13 ⁵ / ₁₆	6 ⁵ / ₃₂	1 ¹ / ₈	3 ³ / ₈	5 ⁵ / ₈	4 ⁷ / ₈	8 ⁻⁷ / ₁₆
4"	13 ⁵ / ₁₆	6 ¹¹ / ₁₆	1 ¹ / ₈	4 ³ / ₈	6 ⁵ / ₈	5 ⁷ / ₈	8 ⁻⁷ / ₁₆
5"	13 ⁵ / ₁₆	7 ⁷ / ₈	2 ¹ / ₈	5 ⁷ / ₁₆	7 ⁵ / ₈	7	12 ⁻⁷ / ₁₆
6"	13 ⁵ / ₁₆	8 ⁷ / ₁₆	2 ¹ / ₈	6 ¹ / ₈	8 ⁵ / ₈	8 ¹ / ₈	12 ⁻⁷ / ₁₆
8"	13 ⁵ / ₁₆	9 ³ / ₈	2 ¹ / ₂	8	10 ⁷ / ₈	10 ¹ / ₈	16 ⁻⁷ / ₁₆

Suffix for Disc Material

Buna-N		Viton	Urethane		EPDM
Black	White		Black	White	
B	WB	V	U	WU	E
-40°F	-40°F	-0°F	-40°F	-40°F	-50°F
+200°F	+200°F	+400°F	+200°F	+200°F	+300°F

NOTE: Temperature ranges based on published information and may vary due to actual operating conditions.

INSTALLATION:

The Wet-R-Dri Valve may be mounted in any position.

Care should be taken when mounting valve to be sure the I.D. of adjoining flanges or pipe is large enough to allow disc of valve to open freely. We suggest using our accompanying flanges and adapters shown in Section 20, Page 5A.

PARTS LIST

Wet-R-Dri VALVE

ACTUATOR ONLY PART NOS.

- 2" Thru 5" Spring Return Act. Part No. 46495AL
- 2" Thru 5" Double Acting Act. Part No. 46504AL
- 6" & 8" Spring Return Act. Part No. 46496AL
- 6" & 8" Double Acting Act. Part No. 46519AL

INDICATOR PIN ASSEMBLY PART NO.

- 2" Thru 5" Part No. 19531AL
- 6" & 8" Part No. 19532AL

No.	Description	Req'd.	Size	Material	Part No.
1	Mtg. End Plate	1	2"Thru 8"	Aluminum	19243ALEY
2	O-Ring	2	2"Thru 8"	Buna-N	17666BN
3	Piston Seal	As Req'd.	2"Thru 8"	Buna-N	17669BN
†4	Piston	1	2"Thru 8"	Aluminum	19437AL
††4a	Piston	1	2"Thru 8"	Aluminum	19285AL
†5	Spring	1	2"Thru 8"	316 Stnls.	19413SS
6	Cylinder	1	2"Thru 8"	Aluminum	19240AL
7	Stop Tube	1	2"Thru 8"	Aluminum	19241AL
8	Housing	1	2"Thru 5"	Aluminum	35390ALEY
		1	6" & 8"	Aluminum	35400ALEY
9	Clevis	1	2"Thru 5"	17-4 Stnls.	19237SL
		1	6" & 8"	17-4 Stnls.	19238SL
10	Button Head S.C.S.	2	2"Thru 8"	Steel	9Q5940
11	Hex Jam Nut	2	2"Thru 8"	Steel Zinc Plt.	9Q5910
12	O-Ring	1	2"Thru 8"	Buna-N	17781BN
13	Shaft	1	2"Thru 8"	304 Stnls.	19239SL
14	O-Ring	1	2"Thru 8"	Buna-N	19350BN
15	Washer	1	2"Thru 8"	Aluminum	19268AL
16	End Cap	1	2"Thru 8"	Aluminum	19244ALEY
17	1/4 Lockwasher	4	2"Thru 8"	Steel	9Q5845
18	Hex. Hd. Bolt	4	2"Thru 8"	Steel Zinc Plt.	9Q5938
19	Retaining Ring	2	2"Thru 8"	Steel Plated	9Q4932
20	Bearing	2	2"Thru 8"	Bronze	9Z4870
21	Clevis Pin	1	2"Thru 8"	Steel Plated	9Q4729
22	Cover Plate	1	2"Thru 8"	Aluminum	19490ALEY
23	Hex. Hd. Bolt	4	2"Thru 8"	Steel Zinc Plt.	9Q5849
23a	1/4 Star Washer	4	2"Thru 8"	Steel Zinc Plt.	9Q5923
24	Gasket	1	2"Thru 8"	Cork-Neoprene	19269CN
26	O-Ring	1	2"Thru 8"	Buna-N	18066BN
††27	Socket Hd. Screw	1	2"Thru 8"	Steel	9Q5798
†28	1/8 Pipe Plug	1	2"Thru 8"	Steel	9V4915
A1	Plug	1	2"Thru 8"	Aluminum	19489AL
A2	O-Ring	1	2"Thru 8"	Buna-N	19357BN
A3	O-Ring	1	2"Thru 8"	Buna-N	19505BN

No.	Description	Req'd.	Size	Material	Part No.
A4	Indicator Pin	1	2"Thru 5"	316 Stnls.	19528SS
			6" & 8"	316 Stnls.	19529SS
A5	Spirol Pin	1	2"Thru 8"	304 Stnls.	9Q8601
A6	1/2 Star Washer	1	2"Thru 8"	410 Stnls.	9Q5916
A7	Breather	1	2"Thru 8"	Brass	9Z4895
31	Cap Screw	2	2"Thru 8"	Steel	9Q5856
32	Gasket	1	2",3" & 4"	Cork-Neoprene	18308CN
33	O-Ring	1	5",6" & 8"	Cork-Neoprene	19351CN
			2"Thru 5"	Buna-N	17889**
34	Drive Shaft	1	6"	Buna-N	18831**
			8"	Buna-N	18831**
35	Disc	1	2"	Steel	27053MS
			3" & 4"	Steel	27050MS
			5"	Steel	27051MS001
			6"	Steel	16229MS
			8"	Steel	16229MS002
			2"	* Specify Material See Section 20 Page 4C	WD101-2*
3"		WD101-3*			
36	O-Ring	1	4"		WD101-4*
			5"		WD101-5*
36a	O-Ring	1	6"		WD101-6*
			8"		WD101-8*
37	Bearing Shaft	1	2"	Buna-N	17781**
			3"Thru 5"	Buna-N	18141**
			6" & 8"	Buna-N	18831**
38	Driv-Lok Pin	2	8"	Buna-N	18831**
			2"	Steel	16006MS
			3"Thru 5"	Steel	15913MS
39	Grease Fitting	1	6"	Steel	16230MS
			8"	Steel	16230MS002
			2"Thru 5"	Steel Zinc Plt.	9Q4893
38	Driv-Lok Pin	2	6"	Steel Zinc Plt.	9Q4926
			8"	Steel Zinc Plt.	9Q4938
39	Grease Fitting	1	8"	Steel	9Z3058

** O-Ring material suffix to match Disc suffix (i.e.-17889VT)

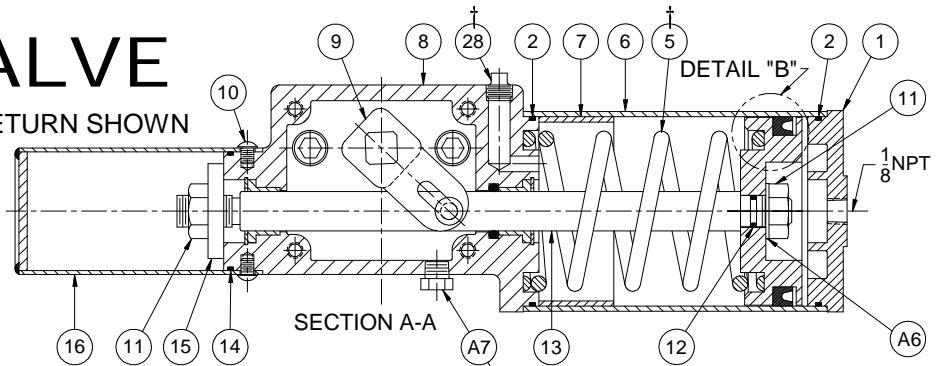
† PART REQ'D ON SPRING RETURN MODELS ONLY
 †† PART REQ'D ON DOUBLE ACTING MODELS ONLY

WARNING Use only genuine Betts Industries Inc. replacement parts. Use of substitute parts can impair the proper functioning of this product.

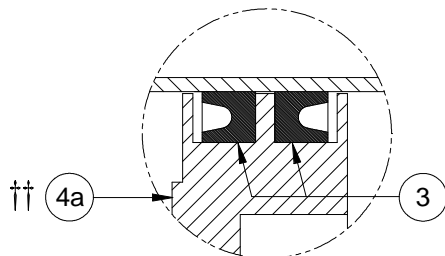
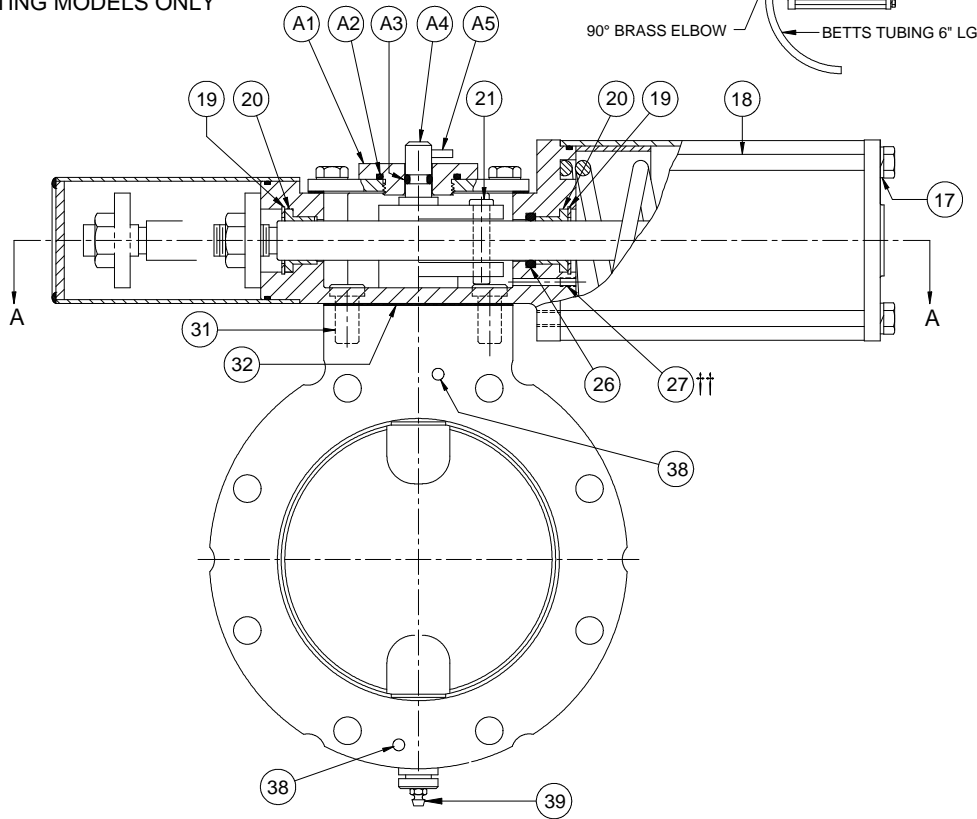
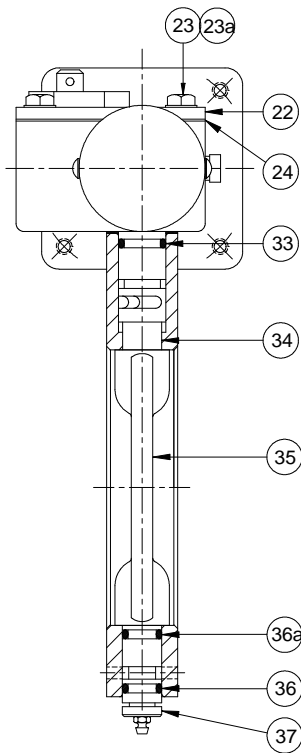
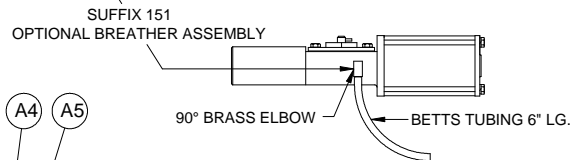
PARTS LIST

Wet-R-Dri VALVE

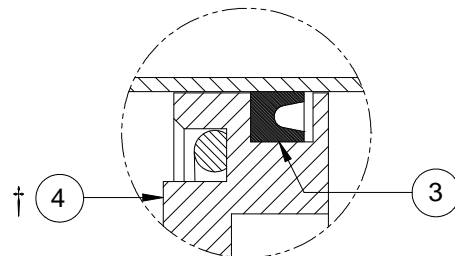
AIR TO OPEN OR CLOSE – SPRING RETURN SHOWN



† PART REQ'D ON SPRING RETURN MODELS ONLY
 †† PART REQ'D ON DOUBLE ACTING MODELS ONLY



DETAIL "B" PISTON & SEAL
 DOUBLE ACTING MODEL ONLY



SPRING RETURN MODEL ONLY
 DETAIL "B" PISTON & SEAL

WARNING Use only genuine Betts Industries Inc. replacement parts. Use of substitute parts can impair the proper functioning of this product.