

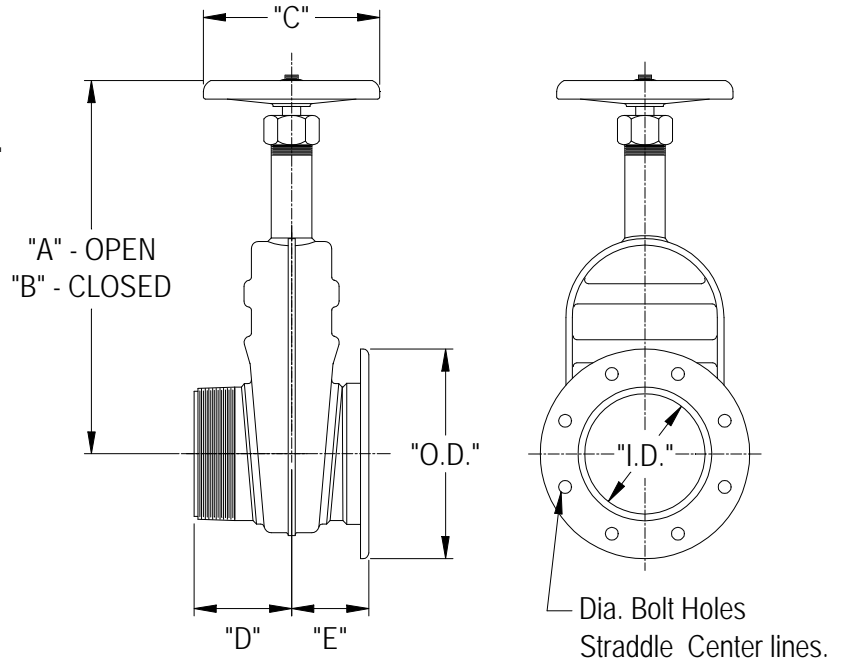
# Gate Valve

Flanged x Threaded

## Fabricated - Double Acting

- Flexible action of Stainless Steel Belleville Discs insures a tighter valve over longer periods of time.
- No elastomers to deteriorate.
- Fabricated for greater strength, lighter weight and lower cost, in steel, stainless and aluminum.
- Double acting stem threads double the speed of operation. Valve closes in half the time.

MAWP 50 PSI



See section 18 Page 4A for parts list.

Flanges are Drilled to TTMA Recommendations.

Dimensions											
Pipe Size	Body					Pipe Thread	Flange				
	A	B	C	D	E		I.D.	O.D.	B.C.	No.	Dia.
3	14 1/4	12 5/8	4 1/2	3 3/16	2 1/4	3" NPT	3 1/16	Stl & SS 6 1/8	4 7/8	8	7/16
								Aluminum 5 5/8			
4	15 1/4	13 1/8	6	3 5/16	2 5/8	4" NPT	4 1/32	Stl & SS 7 1/8	5 7/8	8	7/16
								Aluminum 6 5/8			

Descriptions						
Pipe Size	Material				Part Numbers	Wt Lbs.
	Body	Stem	Discs	Packing		
3	Steel	Brass	Stainless Steel	3 Teflon Suspensoid Rings	G 1003	9.4
	Steel	Steel	Stainless Steel		FG 1003	9.3
	Aluminum	Aluminum	Stainless Steel		AAG 1003	4.5
	Aluminum	Stainless Steel	Stainless Steel		ASG 1003	5.0
	Stainless Steel	Stainless Steel	Stainless Steel		SG 1003	9.3
	316 Stainless	316 Stainless	316 Stainless		SSG 1003	9.3
4	Steel	Brass	Stainless Steel	3 Teflon Suspensoid Rings	G 1004	12.5
	Steel	Steel	Stainless Steel		FG 1004	12.3
	Aluminum	Aluminum	Stainless Steel		AAG 1004	6.3
	Aluminum	Stainless Steel	Stainless Steel		ASG 1004	6.9
	Stainless Steel	Stainless Steel	Stainless Steel		SG 1004	12.3
	316 Stainless	316 Stainless	316 Stainless		SSG 1004	12.3