

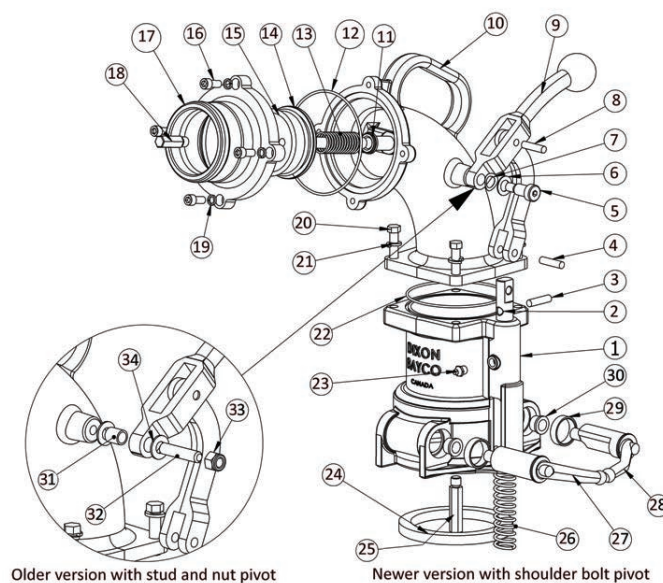
Fuel Delivery/Vapor Recovery

VR6200 Series Vapor Elbows

Bill of Materials

Item #	Description	Part #	Qty
1	bottom body	use kit VR6230	1
2	stem	6200-7	1
3	stem stop pin	PIN5/16X 1 1/4-P	1
4	stem link pin	PIN5/16X 1 1/4-P	1
5 ¹	shoulder bolt pivot	use kit 6200SBK¹	1
6 ¹	SS flat washer	use kit 6200SBK¹	1
7 ¹	wave washer	use kit 6200SBK¹	1
8	handle pin	PIN5/16X 1 1/4-P	1
9	handle and linkage	use kit 6200-15ASSM	1
10	top elbow body	VR6000-1	1
11	poppet bushing	VR6000-3	1
12	outlet O-Ring only	110319	1
13	poppet spring	L1110-L2287	1
14	FKM poppet seal	O-RING-AS-334	1
15	poppet valve	VR6000-4	1
16	outlet adapter bolt	use kit 6000NPHK	4
17	outlet adapter with outlet O-ring	VR6000-6	1
18	poppet valve stand off	VR6000-5	1
19	lock washer	use kit 6000NPHK	4
20	bolt	use kit 6000EHK	4
21	lock washer	use kit 6000EHK	4
22	body O-ring	AS156	1
23	grease nipple	NIPPLE/1	1
24	main seal gasket	6000-9	1
25	probe	VR6000-7	1
26	stem spring	112012	1
27	left arm	VR6000-9	1
28	right arm	VR6000-8	1
29	large bushing	use kit 6200BK	2
30	small bushing	use kit 6200BK	2
31 ²	pivot bushing	use kit 6200SHK²	1
32 ²	pivot stud	use kit 6200SHK²	1
33 ²	pivot lock nut	use kit 6200SHK²	1
34 ²	nylon washer	use kit 6200SHK²	2

¹ items 5 through 7 are for newer version with shoulder bolt pivot only,
² for older version with stud and nut pivot use items 31 through 34 instead



Petroleum Replacement Parts

Repair Kit

Part #	Description	Includes Item #
VR6230	complete replacement bottom unit	1, 2, 3, 22-30
6200BK	replacement small (2) and large (2) bushing kit	29, 30
6000EHK	replacement body lock washers and bolts	20, 21
6200SHK²	replacement pivot stud, bushing, washers & lock nut	31-34
6000NPHK	adapter kit bolts (4) and lock washers	16, 19
6200-15ASSM	replacement handle, linkage and pin	8, 9
6200SBK¹	replacement shoulder pivot bolt, wave washer and flat washer	5-7
VR6200ARK	arm and seal repair kit	14,22,24,27-30

Product instruction sheets and technical data can be viewed on our website at dixonbayco.com by selecting the "Resources" menu