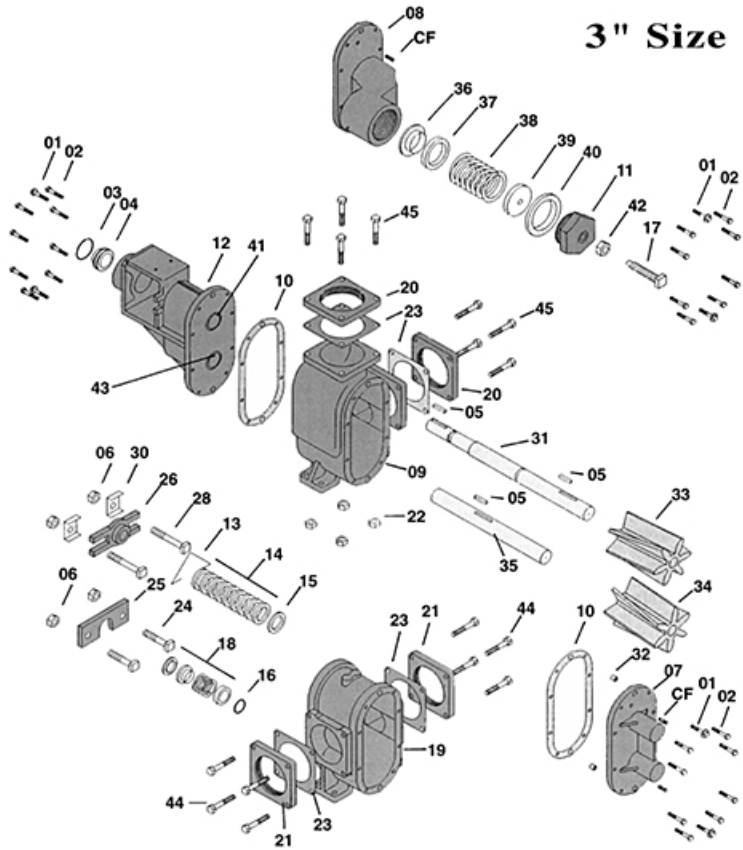




# RANGER PUMPS



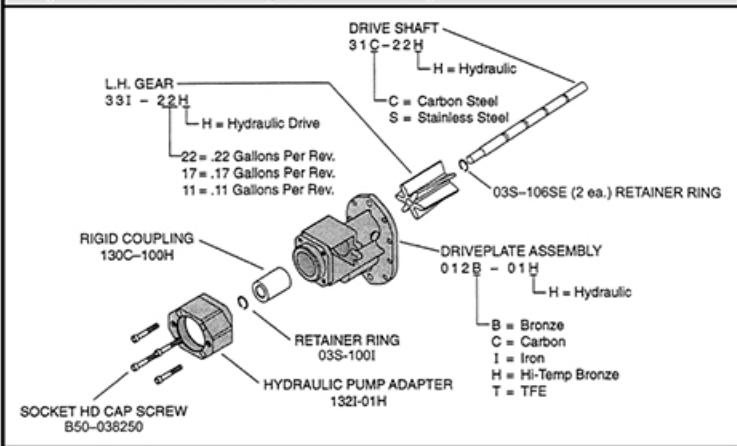
Ranger, Inc. is not affiliated with Roper Pump Company. Ranger, Inc.'s pumps and replacement parts are neither certified nor approved by Roper Pump Company. ROPER® is a registered trademark of Roper Holdings, Inc.

Diagram #	Part Description	Roper Part #	Ranger Part #
01	Washer Hd Screw Cap	G49-24	B63-038150
02	Hex Hd Cap Screw	G49-037100	B60-038100
03	Retaining Ring Internal HB	G41-10	03C-2051
04	Bearing, Ball HB	G40-41	04C-100205
05	Key 0.25 sq x 1.5	D30-9	05C-252515
06	Locknut	D441-755	N61-437
07B*	Plain Rearplate Assy., Bronze	N3-177	07B-01U
07C*	Plain Rearplate Assy., Carbon	N3-226	07C-01U
08B*	RV Rearplate Assy., Bronze	N3-200	08B-01U
08C*	RV Rearplate Assy., Carbon	N3-218	08C-01U
09	Case, Flanged Ports 90°	P1-175	09I-22U
10A	Gasket, Case	D11-338	10F-01U
10B	Gasket, Case Alum.	D11-339	10A-01U
11	Plug Cap, RV	P17-110	11I-01U
12B*	Driveplate Assy., Bronze HB	N2-403	12B-01R
12C*	Driveplate Assy., Carbon HB	N2-480	12C-01R
13	Spring Clip	D42-2	13C-01U
14S	Packing Set Std. TFE	N43-1	14X-01U
14P	Packing Set Pure TFE	N43-101	14T-01U
14G	Packing Set Graphite & TFE	N43-151	14G-01U
14D	Packing Set DSA 8093	N43-170	14D-01U
15	Washer Packing	G8-246	15C-01U
16S	Retaining Ring SST External	G41-76SS	03S-106E
17	RV Screw Adjust	G62-44	B60-038200
18B	Mech Seal Compl Buna-N	G4-101	18B-106175
18V	Mech Seal Compl Viton	G4-140	18V-106175
19	Case, Flanged Ports 180°	P1-171	19I-22U
20	Flange 3" NPT	P23-10	20I-22NPT3
21	Flange 4" NPT	P23-19	21I-22NPT4
22	Hex Nut, Full 5/8-11	G44-062	N60-625
23	Gasket, Flange	D11-90	23V-22U
24	Square Hd Bolt	G67-043125	B40-044125
25	Retainer Seal	D23-252	25C-01U
26	Gland Packing	P10-178	26I-01U
28	Square Hd Bolt	G67-043275	B40-044275
29S	Flange Kit 3" Elbow (Str)	N14-23	29I-80SK
29-90	Flange Kit 3" Elbow (90°)	N14-31	29I-90LK
30	Clip, Packing Gland	D42-1	30C-01U
31	Shaft, Drive HB	D1-1998	31C-22R
31S	Shaft, Drive SST HB	D1-2027	31S-22R
32	Dowel Pin, Hollow	D48-34	32C-01U
33	Gear, LH	P6-278	33I-22U
34	Gear, RH	P6-277	34I-22U
35	Shaft, Idler	D1-1077	35C-22U
35S	Shaft, Idler SST	D1-1078	35S-22U
36	RV Poppet SST	D16-16	36S-01U
37	Adapter Poppet	G8-281	37C-01U
37S	Adapter Poppet SST	G8-282	37S-01U
38	Spring, RV Std. (20-80 PSI)	G10-355	38C-01U
38HP	Spring, RV HP (60-125 PSI)	G10-375	38C-01H
38S	Spring, RV SST (20-80 PSI)	G10-363	38S-01U
39	Guide, Spring	D8-348	39C-01U
39S	Guide, Spring SST	D8-355	39S-01U
40	Gasket, Cap RV	D828-41	40V-01U
41B*	Bearing, Short Bronze	G5-258	41B-01U
41C*	Bearing, Short Carbon	G5-415	41C-01U
42	Nut Lock Seal	G43-18	N65-038S
43B*	Bearing, Long Bronze	G5-257	43B-01U
43C*	Bearing, Long Carbon	G5-416	43C-01U
44	Hex Hd Cap Screw	RG49-062175	B66-063175
45	Hex Hd Cap Screw	G49-062225	B62-063225

\*Others Available

- Order by either number -

## Hydraulic Pump Assembly



**LYNN INDUSTRIES**

524 Anderson Drive • Romeoville, IL 60446 • ehlynn.com

**1-800-633-2948**

sales@ehlynn.com

Fax: 1-800-344-9809