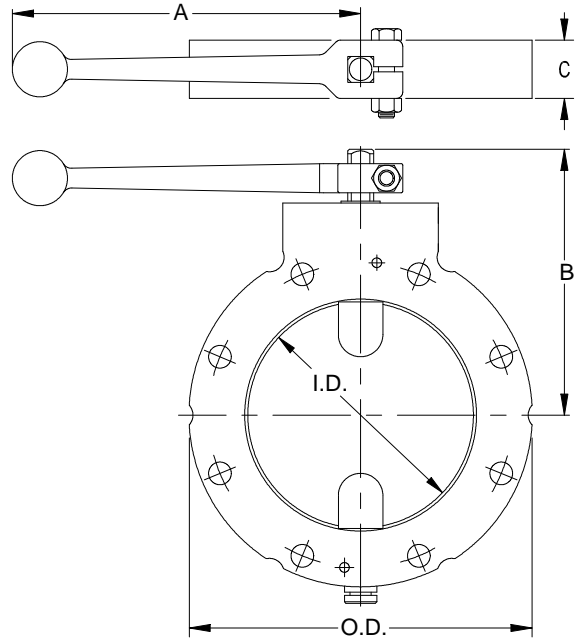


Wet-R-Dri Valve

TTMA STYLE

LIGHTWEIGHT
COMPACT
VERSATILE



Size	Standard Model	Wt.	Detent Model	Wt.	Standard Material		Max. Working Pressure	Temperature Range
	Assembly No.		Assembly No.		Body	Disc		
2"	WD200 AL B	2.4	WD201 AL B	2.4	Aluminum	Buna-N	75 PSI	See Chart Below
	WD200 GI B	4.6	WD201 GI B	4.6	Grey Iron			
3"	WD300 AL B	3.6	WD301 AL B	3.6	Aluminum	Buna-N	75 PSI	
	WD300 GI B	6.9	WD301 GI B	6.9	Grey Iron			
4"	WD400 AL V	4.5	WD401 AL V	4.5	Aluminum	Viton	75 PSI	
	WD400 GI V	8.3	WD401 GI V	8.3	Grey Iron			
5"	WD500 AL V	7.9	WD501 AL V	7.9	Aluminum	Viton	50 PSI	
6"	WD600 AL U	11.8	WD601 AL U	11.8	Aluminum	Urethane	50 PSI	
8"	WD800 AL U	17.3	WD801 AL U	17.3	Aluminum	Urethane	50 PSI	

NOTE: Standard drilling fits TTMA recommended standards.

Valves are available with the following options: Stainless steel liners and shafts, grease fittings installed in the drive and bearing shafts, and "E" Coating of aluminum valves (recommended for aluminum valves used in water service). For repair kit, see Section 20, Page 5B.

Dimensions

Size	A	B	C	I.D.	O.D.	B.C.	Holes
2"	6 ³ / ₄	4 ¹ / ₄	1 ¹ / ₈	2 ¹ / ₄	3 ³ / ₄	3 ³ / ₄	6 ⁻⁷ / ₁₆
3"	6 ³ / ₄	4 ⁵ / ₈	1 ¹ / ₈	3 ³ / ₈	5 ⁵ / ₈	4 ¹ / ₈	8 ⁻⁷ / ₁₆
4"	6 ³ / ₄	5 ¹ / ₈	1 ¹ / ₈	4 ³ / ₈	6 ⁵ / ₈	5 ⁷ / ₈	8 ⁻⁷ / ₁₆
5"	6 ³ / ₄	6 ³ / ₈	2 ¹ / ₈	5 ⁷ / ₁₆	7 ⁵ / ₈	7	12 ⁻⁷ / ₁₆
6"	12	7	2 ¹ / ₈	6 ¹ / ₈	8 ⁵ / ₈	8 ¹ / ₈	12 ⁻⁷ / ₁₆
8"	12	8	2 ¹ / ₂	8	10 ⁷ / ₈	10 ¹ / ₈	16 ⁻⁷ / ₁₆

Suffix for Disc Material

Buna-N		Viton	Urethane		EPDM
Black	White		Black	White	
B	WB	V	U	WU	E
-40°F	-40°F	-0°F	-40°F	-40°F	-50°F
+200°F	+200°F	+400°F	+200°F	+200°F	+300°F

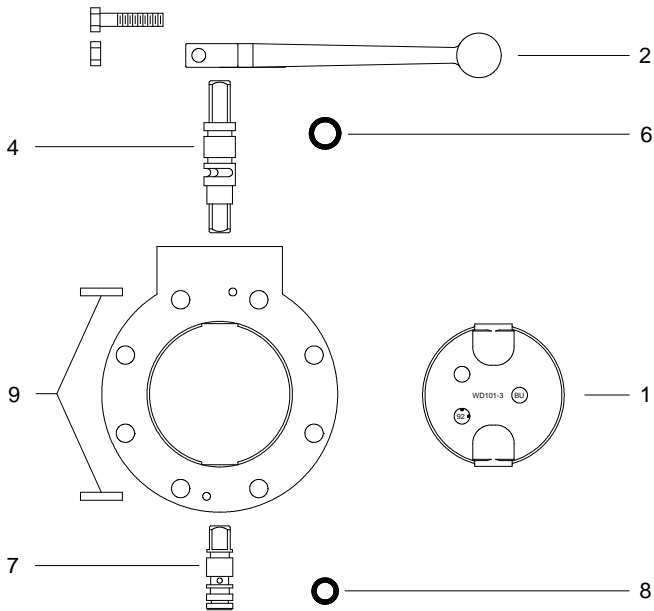
NOTE: Temperature ranges based on published information and may vary due to actual operating conditions.

INSTALLATION:

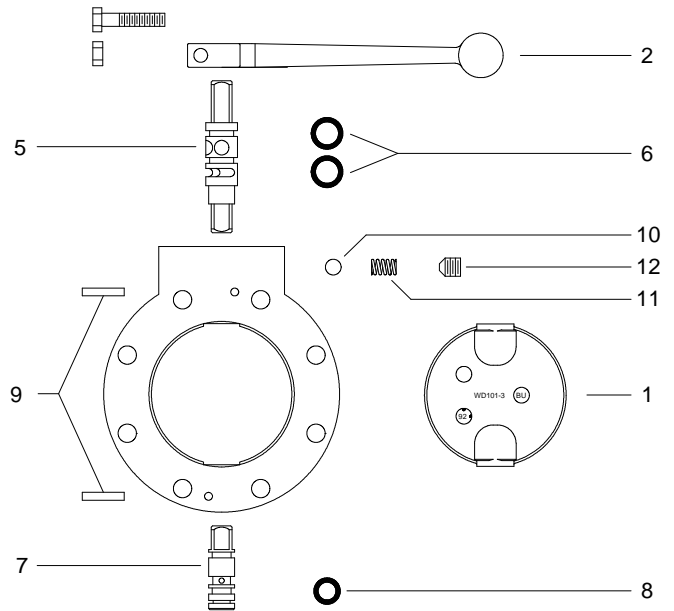
The Wet-R-Dri Valve may be mounted in any position with handle located for easy operation. Valve, as assembled, opens by turning handle 1/4 turn counter clockwise (right hand operation). If clockwise rotation is desired (left hand operation) please specify. Care should be taken when mounting valve to be sure the I.D. of adjoining flanges or pipe is large enough to allow disc of valve to open freely. We suggest using our accompanying flanges and adapters shown in Section 20, Page 5A.

PARTS LIST

Wet-R-Dri VALVE



STANDARD MODEL



DETENT MODEL

No.	Description	Material	2" Size	3" Size	4" Size	5" Size	6" Size	8" Size
			Part No.	Part No.	Part No.	Part No.	Part No.	Part No.
1	Disc	Buna-N	WD101-2 BN	WD101-3 BN	WD101-4 BN	WD101-5 BN	WD101-6 BN	WD101-8 BN
		Viton	WD101-2 VT	WD101-3 VT	WD101-4 VT	WD101-5 VT	WD101-6 VT	WD101-8 VT
		Urethane	WD101-2 PY	WD101-3 PY	WD101-4 PY	WD101-5 PY	WD101-6 PY	WD101-8 PY
		EPDM	WD101-2 EP	WD101-3 EP	WD101-4 EP	WD101-5 EP	WD101-6 EP	WD101-8 EP
2	Handle	Mall. "E" Coated	25884EY	25884EY	25884EY	25884EY	25933AL	25933AL
	Cap Screw	Steel Zinc Plt.	9Q5813	9Q5813	9Q5813	9Q5813	9Q5898	9Q5898
	Hex. Nut	Steel Zinc Plt.	9Q5808	9Q5808	9Q5808	9Q5808	9Q5808	9Q5808
4	Drive Shaft	Steel	27053MS	27050MS	27050MS	27051MS	16229MS	16229MS002
5	Drive Shaft	Steel	27053MS001	27050MS001	27050MS001	27051MS001	16229MS	16229MS002
6	O-Ring	To Match Disc Mat'l.	17889**	17889**	17889**	17889**	18831**	18831**
7	Bearing Shaft	Steel	16006MS	15913MS	15913MS	15913MS	16230MS	16230MS002
8	O-Ring	To Match Disc Mat'l.	17781**	18141**	18141**	18141**	18831**	18831**
9	Driv-Lok-Pin	Steel Zinc Plt.	9Q4893	9Q4893	9Q4893	9Q4925	9Q4926	9Q4938
10	Detent Ball	440 Stnls	9Z4856	9Z4856	9Z4856	9Z4856	9Z4856	9Z4856
11	Detent Spring	304 Stnls	15229SL	15229SL	15229SL	15229SL	15229SL	15229SL
12	Ret. Screw	304 Stnls	9Q5838	9Q5838	9Q5838	9Q5838	9Q5838	9Q5838

** O-Ring material suffix to match Disc suffix (i.e.-17889VT)

WARNING Use only genuine Betts Industries Inc. replacement parts. Use of substitute parts can impair the proper functioning of the Wet-R-Dri Valve.