

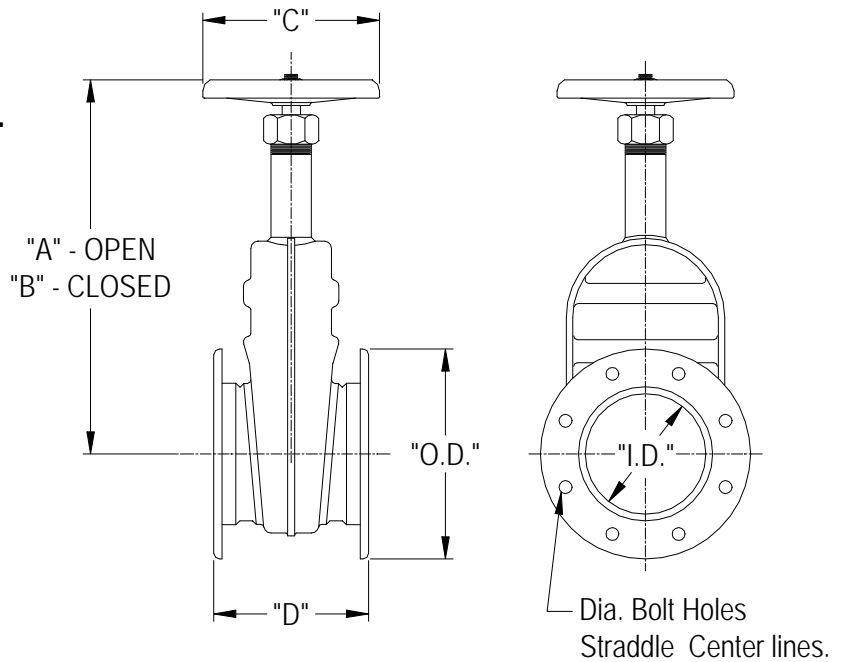
Gate Valve

Flanged x Flanged

Fabricated - Double Acting

- Flexible action of Stainless Steel Belleville Discs insures a tighter valve over longer periods of time.
- No elastomers to deteriorate.
- Fabricated for greater strength, lighter weight and lower cost, in steel, stainless and aluminum.
- Double acting hand stem threads double the speed of operation. Valve closes in half the time.

MAWP 50 PSI



See section 18 Page 4A for parts list.

Flanges are Drilled to TTMA Recommendations.

Dimensions										
Pipe Size	Body				Pipe Thread	Flange				
	A	B	C	D		I.D.	O.D.	B.C.	No.	Dia.
3	14 1/4	12 5/8	4 1/2	4 1/2	N/A	3 1/16	Stl & SS 6 1/8	4 7/8	8	7/16
							Aluminum 5 5/8			
4	15 1/4	13 1/8	6	5 1/4	N/A	4 1/32	Stl & SS 7 1/8	5 7/8	8	7/16
							Aluminum 6 5/8			

Descriptions						
Pipe Size	Material			Packing	Part Numbers	Wt Lbs.
	Body	Stem	Discs			
3	Steel	Brass	Stainless Steel	3 Teflon Suspensoid Rings	G 1013	9.9
	Steel	Steel	Stainless Steel		FG 1013	9.8
	Aluminum	Aluminum	Stainless Steel		AAG 1013	4.7
	Aluminum	Stainless Steel	Stainless Steel		ASG 1013	5.2
	Stainless Steel	Stainless Steel	Stainless Steel		SG 1013	9.8
	316 Stainless	316 Stainless	316 Stainless		SSG 1013	9.8
4	Steel	Brass	Stainless Steel	3 Teflon Suspensoid Rings	G 1014	13.3
	Steel	Steel	Stainless Steel		FG 1014	13.1
	Aluminum	Aluminum	Stainless Steel		AAG 1014	6.6
	Aluminum	Stainless Steel	Stainless Steel		ASG 1014	7.2
	Stainless Steel	Stainless Steel	Stainless Steel		SG 1014	13.1
	316 Stainless	316 Stainless	316 Stainless		SSG 1014	13.1