

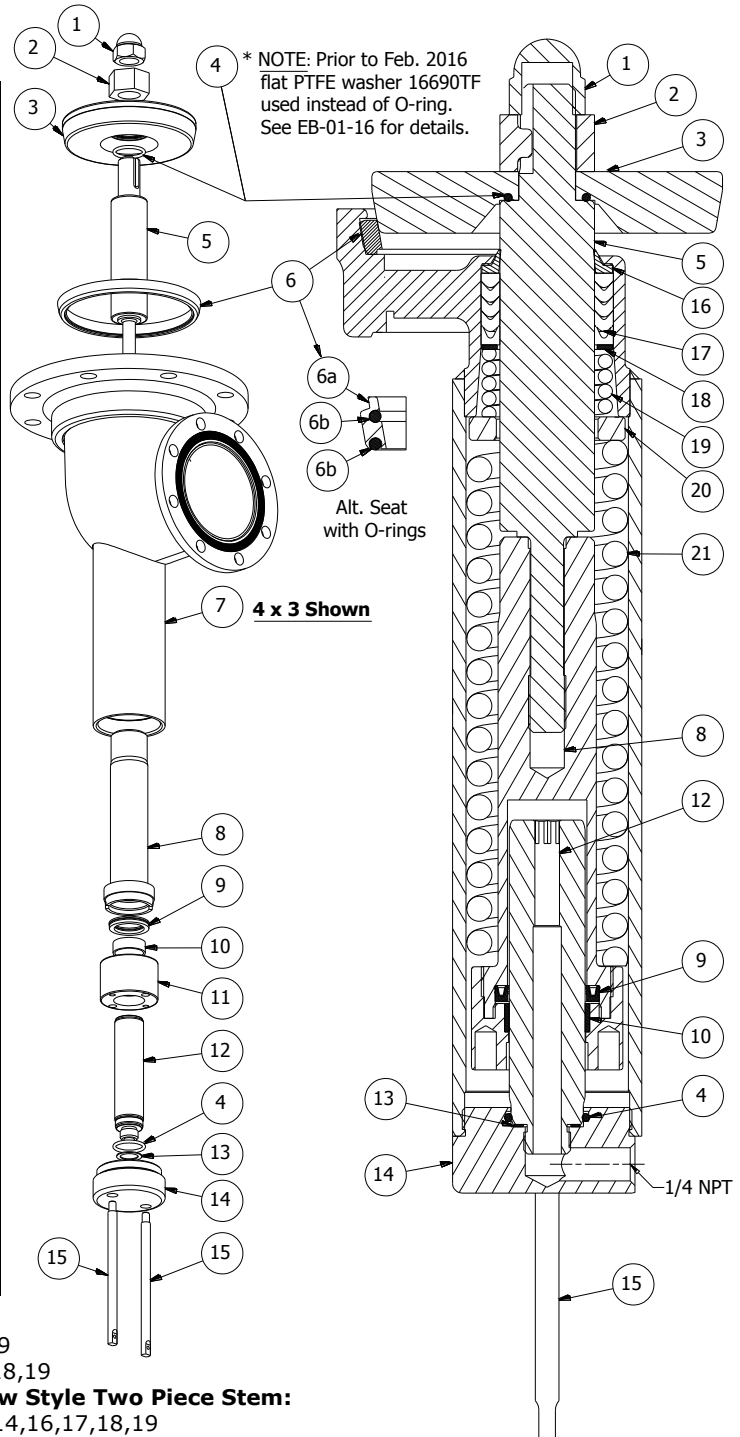
# External Chemical Hydraulic Valve

4x3 and 4x4 Style 90° Elbow

Page 2 of 2

## PARTS LIST

No.	Description	Req'd.	Material	Part #
1	Cap Nut	1	316 Stainless	16672SS
2	Cap Collar	1	316 Stainless	16671SS
2a	Alt. Cap Collar with O-rings	1	316SS/Tef-Sil	19235SSTS
3	Disc	1	316 Stainless	16743SS
			Hast. C-22 Trim	16743LH
4	Piston/Disc O-ring	2	Tef-Sil	75206TS
5	Upper Stem Half	1	316 Stainless	28202SS
			Hast C276	28202HC
6	Replaceable Seat	1	PTFE	16644TF
			FFKM	16644KA
			FKM - A	16644VT
			FKM - GFLT-S	16644VF
6a	Alternate Seat with O-Rings	1	PTFE/Tef-Sil	18897TFTS
6b	Seat O-Ring only	2	Tef-Sil	18246TS
			FFKM	18246KA
7	4x3 Body	1	316 Stainless	26099SS
	4x4 Body	1	316 Stainless	45608SS
	4x3 Jacket Body	1	316 Stainless	35086SS
	4x4 Jacket Body	1	316 Stainless	N/A
8	Lower Stem Half	1	303 Stainless	28201SL
9	Piston Seal	1	PTFE/301SS	75207SSTF
10	Bearing	1	PTFE Carbon	75455TF
11	Seal Retaining Ring	1	303 Stainless	75190SL
12	Piston	1	303 Stainless	75136SL
13	Piston Washer	1	Fiber	9Z6185
14	Piston Holder	1	316 Stainless	75137SS
15	Indicator Pins	2	304 Stainless	16133SL
16	Stuffing Box Wiper	1	PTFE	15862TF
			PEEK	15862PK
17	Packing Rings	Set of 5	PTFE	15759TF
18	Follower Washer	1	316 Stainless	19594SS
19	Packing Spring	1	316 Stainless	19616SS
20	Washer-Main Spring	1	304 Stainless	15684SL
21	Main Spring	1	Chr. Van Steel	18850EY
			17-7 Stainless	18850SL



### Replacement Kit of Teflon Parts:

CH75296TF - Includes items - 4,6,9,10,13,16,17,18,19

CH75296TFTS - Includes items - 4,6a,9,10,13,16,17,18,19

### Conversion Kit from Old Style Single Piece Stem to New Style Two Piece Stem:

CH75297TF - Includes items - 4,5,6,8,9,10,11,12,13,14,16,17,18,19

CH75297TFTS - Includes items - 4,5,6a,8,9,10,11,12,13,14,16,17,18,19

For instructions see maintenance manual MM-CH004 or maintenance video MV-CH004.

**WARNING** Use only genuine Betts Industries, Inc. replacement parts. Use of substitute parts can impair the proper functioning of this product and void all warranties.



Designed, engineered and manufactured in the USA.