

Quick Clean Hydraulic Valve

4x3 and 4x4 Style 90° Elbow

Page 2 of 2

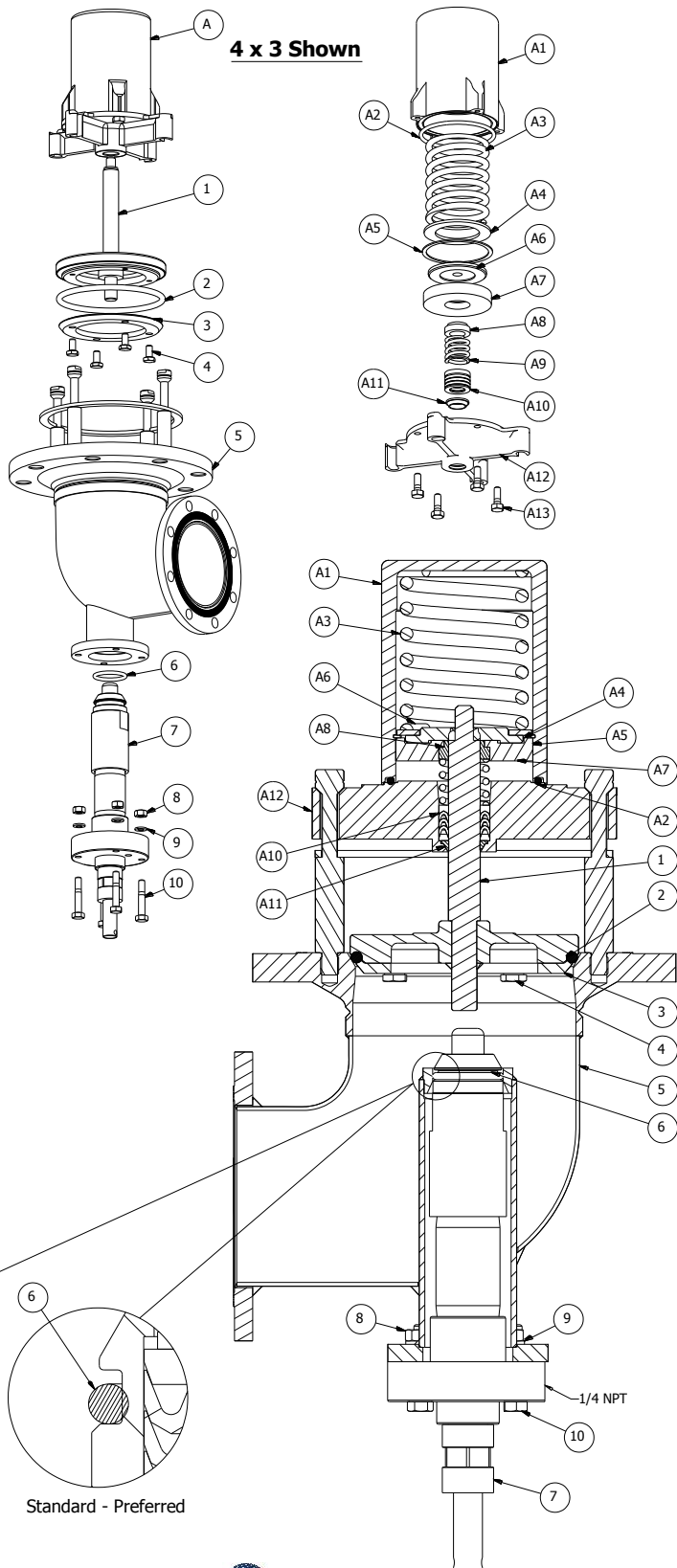
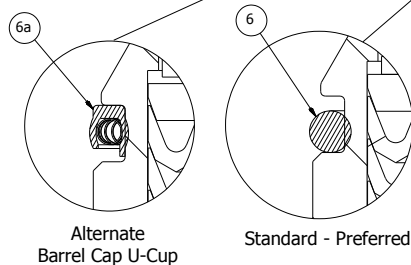
PARTS LIST

No.	Description	Req'd.	Material	Part #
1	Stem & O-ring Holder	1	316 Stainless	19254SS
2	Seat O-ring	1	Tef-Sil	19033TS
3	Retainer Plate	1	316 Stainless	27443SS
4	Cap Screw 1/2"	4	316 Stainless	9Q4174
5	4x3 Body	1	316 Stainless	35729SS
	4x4 Body	1	316 Stainless	35826SS
	4x3 Jacket Body	1	316 Stainless	35831SS
	4x4 Jacket Body	1	316 Stainless	35827SS
6	Barrel Cap O-ring	1	Tef-Sil	18858TS
6a	Alternate Barrel Cap U-Cup	1	TFM/Elgiloy	75494SLTF
7	4x3 Actuator	1	316 Stainless	35233SSTS
	4x4 Actuator	1	316 Stainless	35224SSTS
8	Hex Nut 1/4-20NC	4	316 Stainless	9Q5805
9	Lock Washer	4	316 Stainless	9Q5844
10	Cap Screw 1-1/2"	4	316 Stainless	9Q4919

No.	Description	Req'd.	Material	Part #
A	Spring Housing	1	316 Stainless.	36054SSTS
A1	Housing Cap	1	316 Stainless	28244SS
A2	Base O-ring	1	Tef-Sil	75274TS
A3	Spring	1	316 Stainless	19413SS
A4	Washer	1	316 Stainless	19083SS
A5	Spring Washer	1	316 Stainless	75269SS
A6	Bushing Holder	1	316 Stainless	75268SS
A7	Bushing	1	PTFE/Glass	18467TG
A8	Packing Spring	1	302 Stainless	19050SL
A9	Packing Set	1	PTFE	8N2833
A10	Wiper	1	PTFE	18172TG
A11	Spider	1	316 Stainless	28341SS
A12	Cap Screw	4	316 Stainless	9Q5822A

- Actuator assembly (#7) includes barrel cap O-ring (#6). If alternate barrel cap u-cup (#6a) is required, it must be order separately.
- Seal Kit for Spring Housing Assembly:
CH75549TF - Includes items - A2, A7, A9, A10
- For instructions, see maintenance manual MM-CH001 for Spring Housing, MM-CH002 for Valve, and MV-CH002 for Valve maintenance video.

WARNING: Use only genuine Betts Industries replacement parts. Substitute parts can impair the proper functioning of this product and void all warranties.



Designed, engineered and manufactured in the USA. 