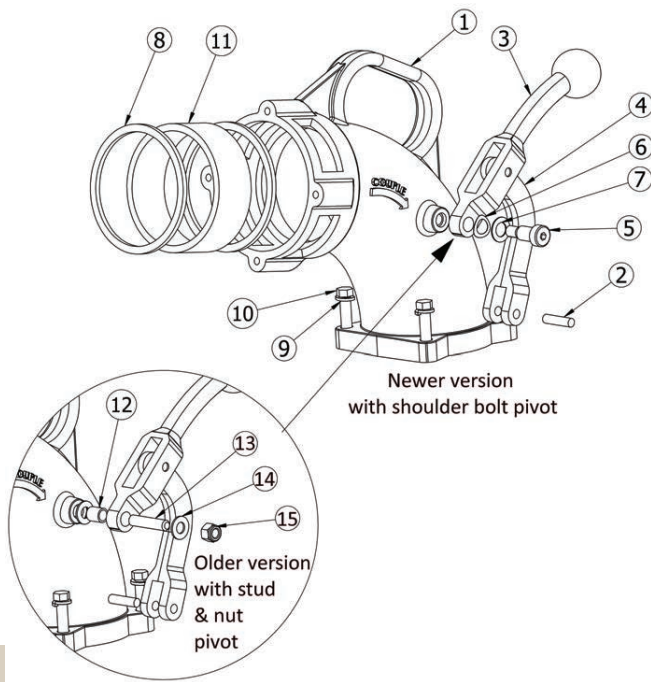


# Fuel Delivery

## Top Side Lever Elbows

Fits 6200 Elbow Only



### Bill of Materials

Item #	Description	Part #	Qty
1	body	<b>6200-1</b>	1
2	pin	<b>PIN5/16X 1 1/4-P</b>	2
3	handle	use kit <b>6200-15ASSM</b>	1
4	handle linkage	use kit <b>6200-15ASSM</b>	1
5 <sup>1</sup>	shoulder bolt	use kit <b>6200SBK</b>	1
6 <sup>1</sup>	wave washer	use kit <b>6200SBK</b>	2
7 <sup>1</sup>	SS flat washer	use kit <b>6200SBK</b>	1
8A	Baylast™ gasket	<b>4433</b>	2
8B	FKM gasket (optional)	<b>4426</b>	2
9	lock washer	use kit <b>6000EHK</b>	4
10	bolt	use kit <b>6000EHK</b>	4
11	sight glass	use kit <b>6200SGK</b>	1
12 <sup>2</sup>	bushing	use kit <b>6200SHK</b>	1
13 <sup>2</sup>	stud	use kit <b>6200SHK<sup>2</sup></b>	1
14 <sup>2</sup>	nylon washer	use kit <b>6200SHK<sup>2</sup></b>	2
15 <sup>2</sup>	nut	use kit <b>6200SHK<sup>2</sup></b>	1

<sup>1</sup> items 5 through 7 are for newer version with shoulder bolt pivot

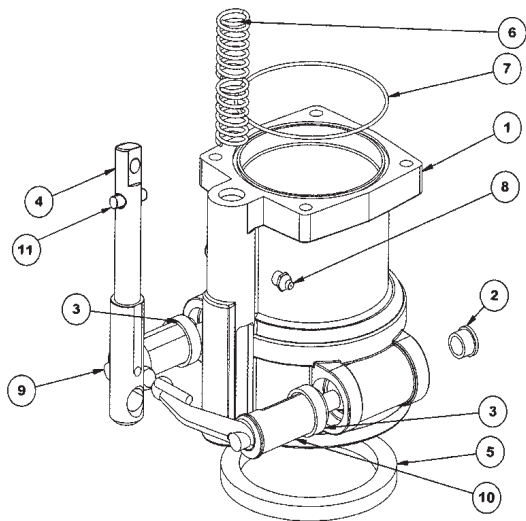
<sup>2</sup> for older version with stud and nut pivot use items 12 through 15 instead

### Repair Kits

Part #	Description	Includes Item #
<b>6200-15ASSM</b>	replacement handle, linkage and pin	2, 3, 4
<b>6200SGK</b>	replacement sight glass and Baylast™ seals	8, 11
<b>6000EHK</b>	replacement bolts and lock washers	9, 10
<b>6200SBK<sup>1</sup></b>	replacement shoulder bolt pivot, wave washer and flat washer	5, 6, 7
<b>6200SHK<sup>2</sup></b>	replacement stud pivot, nylon washers, bushing and nut	12, 13, 14, 15

## Bottom Unit, for Side Lever Elbows

Fits 6200, 6400 and 6500 Standard and Tall Elbows



### Bill of Materials

Item #	Description	Part #	Qty
1	body	use kit <b>6230 or 6230X</b>	1
2	small bushing	use kit <b>6200BK</b>	2
3	large bushing	use kit <b>6200BK</b>	2
4A	handle stem (standard)	<b>6200-7</b>	1
4B	handle stem (tall)	<b>6200-7X</b>	1
5	main gasket	<b>6000-9</b>	1
6	spring	<b>112012</b>	1
7	O-ring	<b>AS156</b>	1
8	grease nipple	<b>NIPPLE/1</b>	1
9	right arm	use kit <b>6200ARK</b>	1
10	left arm	use kit <b>6200ARK</b>	1
11	pin	<b>PIN5/16X 1 1/4-P</b>	1

### Repair Kits

Part #	Description	Includes Item #
<b>6230</b>	complete standard replacement bottom unit	all
<b>6230X</b>	complete tall replacement bottom unit	all
<b>6200ARK</b>	replacement L and R arms, main gasket, O-rings, small and large bushings	2, 3, 5, 7, 9, 10
<b>6200BK</b>	replacement small and large bushings	2, 3

Product instruction sheets and technical data can be viewed on our website at [dixonbayco.com](http://dixonbayco.com) by selecting the "Resources" menu